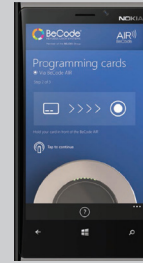


# AIR+))) NFC

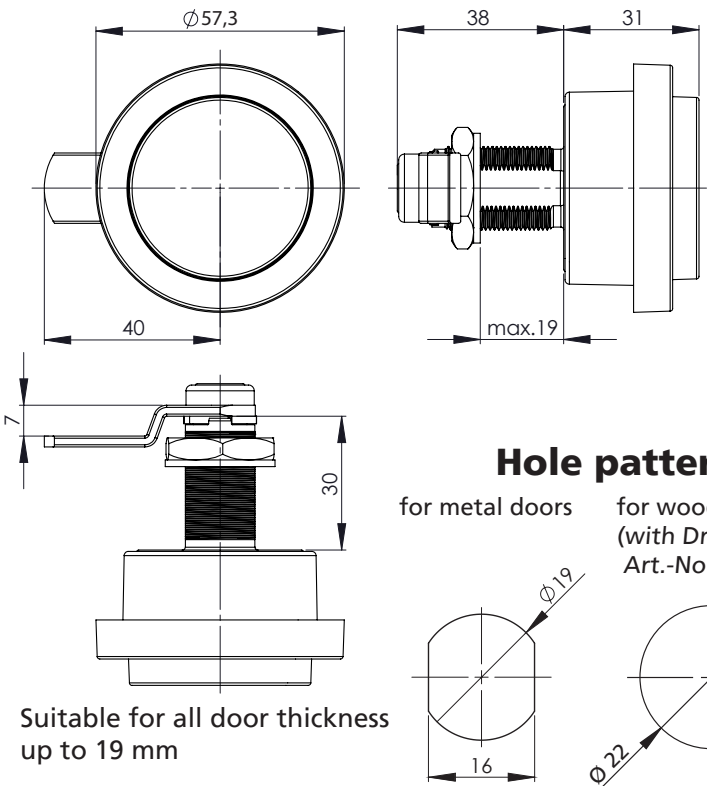
BeCode



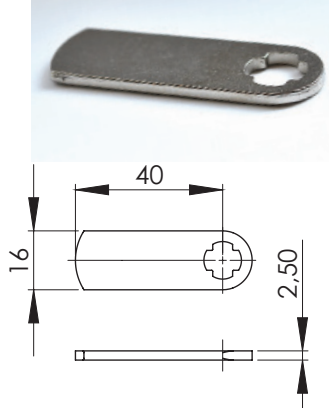
7-1-0420 BeCode AIR+ Fixed mode  
 7-1-0450 BeCode AIR+ Free mode  
 7-1-0451 BeCode AIR+ Free mode advanced  
 7-1-0455 BeCode AIR+ Multi  
 ISO 14443A; ISO 15693; Legic-RF; HID Iclass  
 (Compatible with all common RFID-standards like: Mifare, Tag-it, Legic, HID)

### Advantages at a glance:

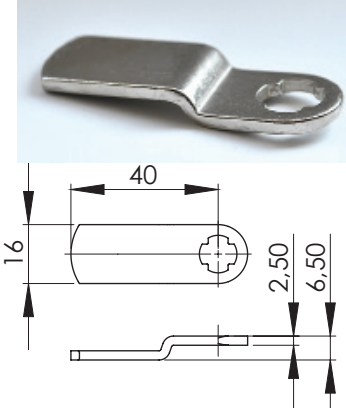
- supports NFC
- supports almost all RFID solutions in the area of 13,56 MHz
- up to 510 users per BeCode AIR+
- mode for variable or permanent users
- administration per App available
- audit trail accessible
- timer function for automated opening
- software updates possible
- with integrated cam lock
- installation possible for metal and for wooden doors
- wireless installation
- can be used right / left hand
- quick and easy operation / time savings
- optimum operating temperature between 14° C and 24° C



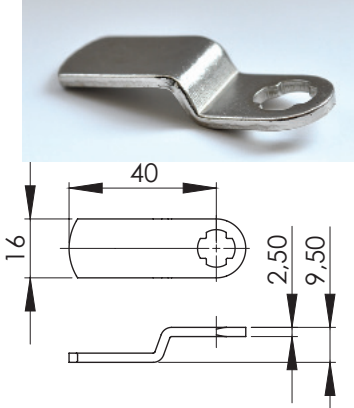
### Cams



Cam, straight 40 mm  
 Article-No. 7-1-1400



Cam, cranked 4 mm 40 mm  
 Article-No. 7-1-1404



Cam, cranked 7 mm 40 mm  
 Article-No. 7-1-1407

**(Installation only with these listed cams or cams approved by BeCode!)**