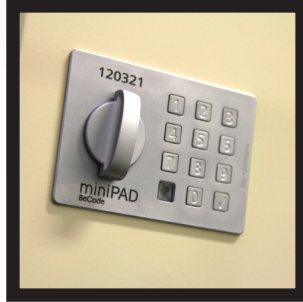




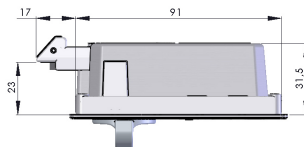
BeCode®
KEYLESS LOCK SYSTEMS



miniPAD

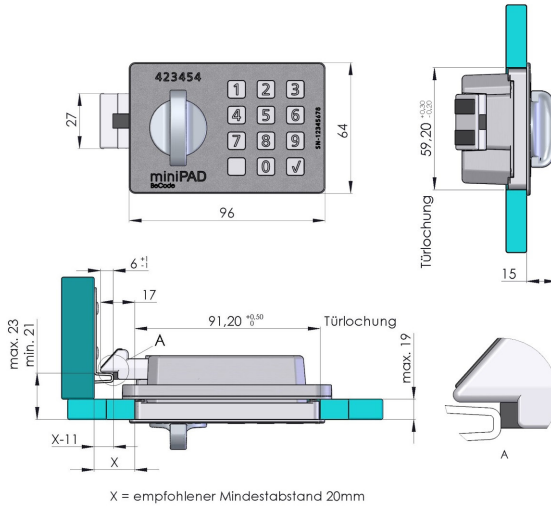
BeCode

Einbauanleitung Installation Instructions

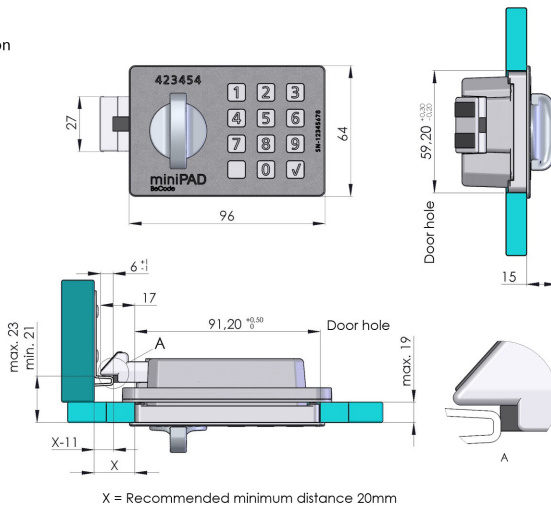


Version 3.0
www.becode.com

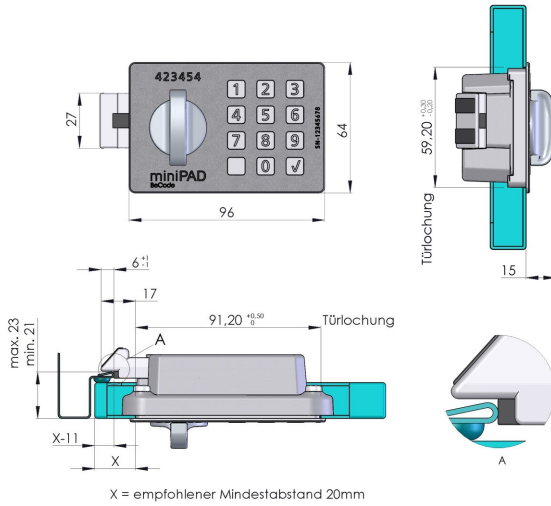
Einbausituation
HPL-Front



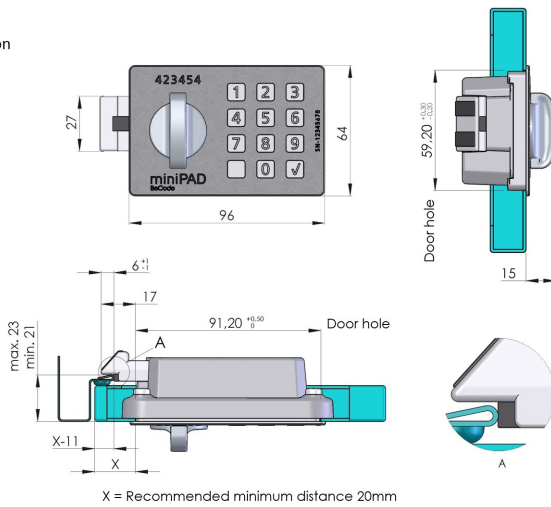
Assembly situation
HPL-Front

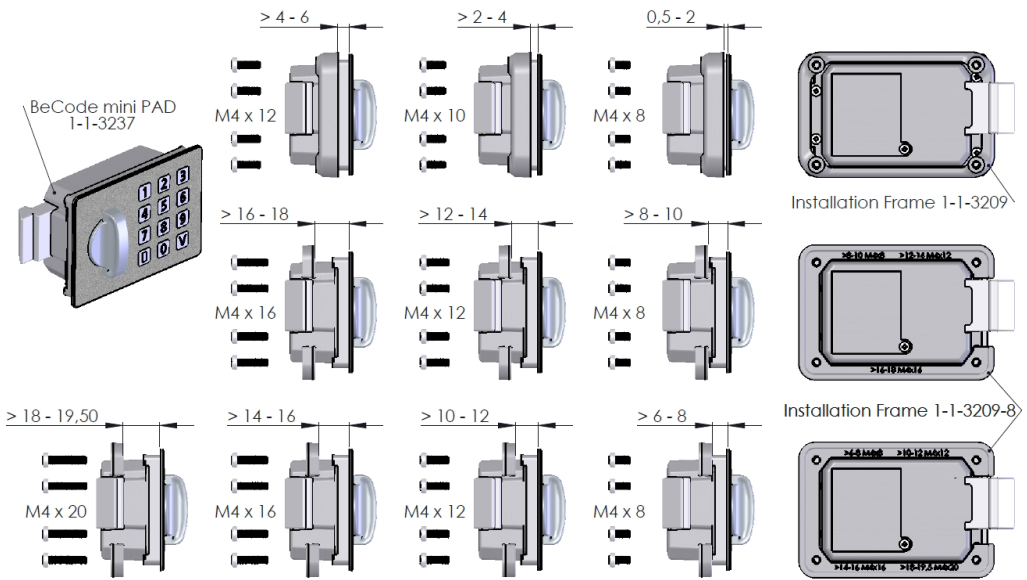


Einbausituation
Metall-Front



Assembly situation
Metal-Front





Achtung: Das maximale Drehmoment beträgt 5 Nm.
Attention: The maximum torque is 5 Nm

EG Konformitätserklärung - Declaration of Conformity



The representative

BeCode GmbH
Nordstr. 53
42781 Haan
Tel.: +492129/37368-0

Product

BeCode AIR+ / BeCode AIR

BeCode declares that the radio equipment complies with the RoHS Directive 2011/65/EU and the essential requirements of Article 3 of the RE Directive 2014/53/EU, when used for intended purpose.

Standards applied:

EN 62368-1:2016-05
ETSI EN 301 489-1:V2.1.1 (2017-02)
ETSI EN 301 489-3:Draft V2.1.0 (2016-09)

Haan, 11.11.2019
Place, Date

Peter Bock , Matthias Blunck
Name, Signature

This declaration attests to conformity with the named Directives but does not represent assurance of properties. The safety guidelines in the accompanying product documentation must be observed.